

LOW PROFILE 120V AC POWER LINE SURGE SUPPRESSOR

RTCA DO-160G COMPLIANT PRODUCT



DESCRIPTION

The 587BxxxLP Series of 120 Volt AC Surge Suppressors is designed for use by the OEM, equipment installer and or maintenance contractor. These modules employ a three stage technology proven to be the most cost effective and reliable method in protecting sensitive electronic equipment from over voltage transients. This series is designed to protect AC powered equipment from the 6,000 volt peak open circuit voltage and 3,000 Amp short circuit current as defined in ANSI/IEEE C62.41, Category C1.

The 587BxxxLP Series offers a high degree of protection against 120 VAC EMI line noise. It is ideal for protecting 400 Volt components because the solid state TVS technology assures that the line-to-neutral voltage will not exceed 400 Volts. While the modules are designed for transient voltage protection, the advanced circuitry will also attenuate the amplitude and slow the rate of rise of high frequency noise acting as an EMI filter. The 587BxxxLP Series includes differential mode protection, which is effective in reducing interference from line to equipment and are effective in reducing equipment generated noise to meet FCC and VDE interference requirements.

FEATURES

- **RTCA DO-160G COMPLIANT PRODUCT** Compatible with IEC 61000-4-5 (Surge): 1kA, 8/20 μ s, Level 4 (Line-Gnd) & 333A, Level 4 (Line-Line)
- Meets ANSI/IEEE C62.41 Requirements
- Differential and Common Mode Protection
- Low Clamping Voltage
- Nanosecond Response Time
- Long Life and Maintenance Free
- Finger Safe Connections

APPLICATIONS

- Hard Wired Equipment AC Power Protection
- Load Side Distribution Systems
- Secondary Protection for Light Industrial AC Power

MECHANICAL CHARACTERISTICS

- Low Profile Plastic Package
- Approximate Weight: 360 grams
- Flammability Rating UL 94V-0

FIGURE 1
TRANSIENT VOLTAGE THREAT CONDITION

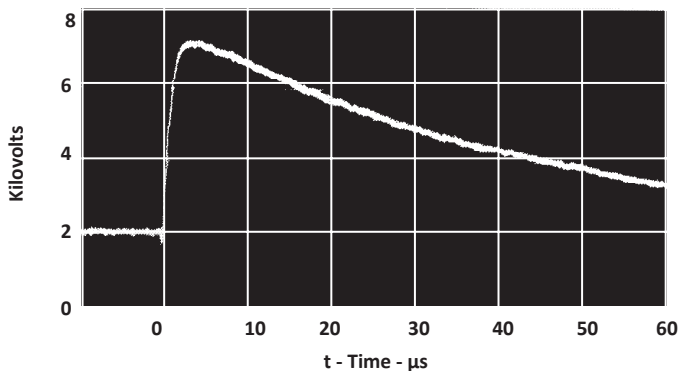
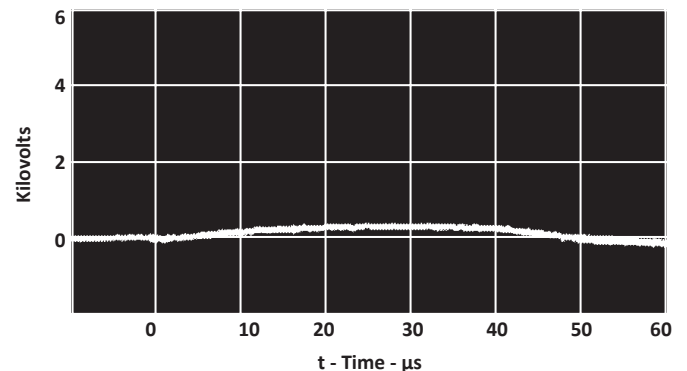


FIGURE 2
TYPICAL CLAMPING ACTION OF A 15A MODULE



Figures 1 and 2 are photographs of digitized waveforms showing the typical clamping action of a 15A module. A 12 Ohm resistor is used to represent a 10A equipment load. The load is then subjected to the ANSI/IEEE C62.41 Category C1 test conditions (6000V/3000A). These photographs contrast the effect on equipment with and without the protector.

TYPICAL DEVICE CHARACTERISTICS

RTCA DO-160G COMPLIANT PRODUCT

MAXIMUM RATINGS @ 25°C Unless Otherwise Specified

PARAMETER	SYMBOL	VALUE	UNITS
Operating Line Voltage: +10%	V_o	120	Volts AC
Line Current: 587B051LP/587B101LP/587B151LP/587B201LP/587B301LP	-	5/10/15/20/30	Amps
Peak Transient Voltage	-	6000	Volts
Peak Transient Current	-	3000	Amps
Current Leakage @ 130 Volts AC: Line-to-Neutral, Neutral-to-Ground, Line-to-Ground	-	1	mA
Operating Temperature - Note 1	T_A	-40 to 85	°C
Storage Temperature - Note 1	T_{STG}	-40 to 85	°C

NOTES

1. Measured at the center of the mounting surface.

ELECTRICAL CHARACTERISTICS @ 25°C Unless Otherwise Specified

PROTECTION MODE (Note 1)	MAXIMUM CLAMPING VOLTAGE (Note 2)	OPEN CIRCUIT VOLTAGE (Note 2)	SHORT CIRCUIT CURRENT (Note 2)
	VOLTS	@ 1.2/50µs VOLTS	@ 8/20µs AMPS
Line to Neutral	295	1000	500
Line to Neutral	330	6000	3000
Neutral to Ground	500	1000	500
Line to Ground	500	6000	3000

NOTES

1. Differential Mode Protection: Line to Neutral. Common Mode Protection: Line to Ground & Neutral to Ground.
 2. Test condition responses to transient voltages.

ARRESTOR DEFINITIONS

Clamping Voltage: The clamping voltage of an arrester is the voltage that appears across its terminals during conduction of a transient current.

Standard Wave Form: The waveform of a surge current or voltage is designated by a combination of two numbers. The first number is for the time of the wave front expressed in microseconds from zero to the peak of the wave. The second number is for the time of the wavetail also expressed in microseconds from zero to the instant that the wavetail reaches one half of the crest or peak value, i.e., 8/20 µs waveform.

Transient Current: The transient current of an arrester is the peak surge current which flows through the arrester when voltage clamping occurs.

OPERATION

For maximum effectiveness, the protector should be installed directly after the AC line on/off switch and fuse. This will protect the electronics from the AC line switch arcing and the severe transients caused by a fuse clearing.

Some heat is produced when operating at full current load, and heat sinking may be required to maintain case temperature below 85°C. The case temperature is measured at the center of the mounting surface. The unit should not be mounted to a low combusting temperature material such as wood.

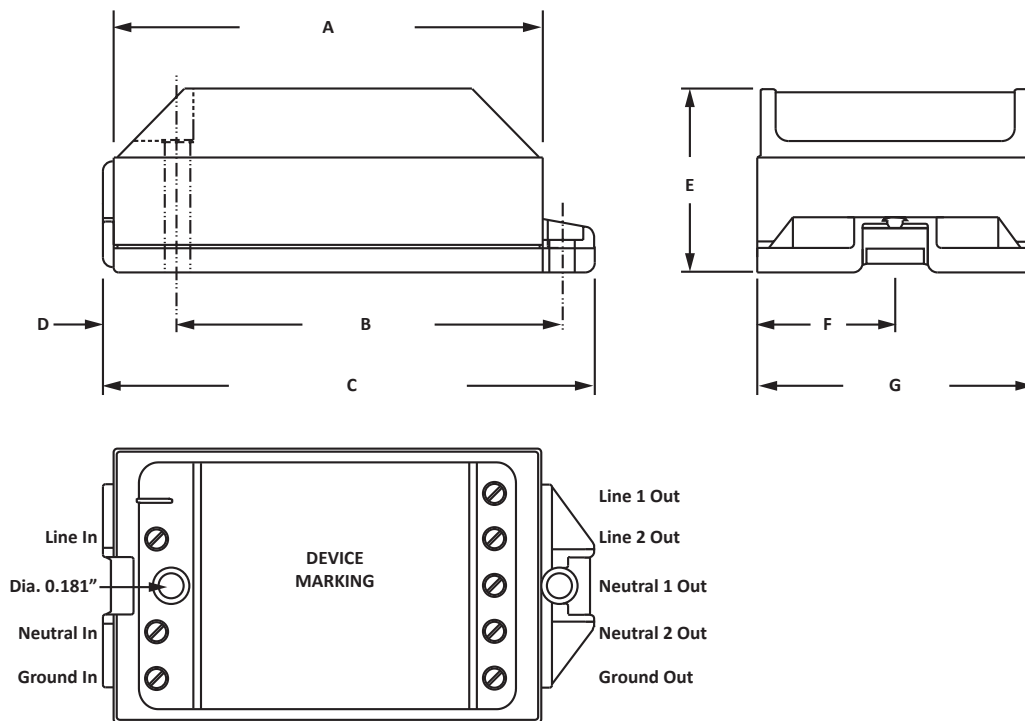
High energy transients will cause a large circulating current in the AC input line (2,500A is possible). To prevent electromagnetic coupling, the AC line on the input side of the protector must be dressed away from other wiring, magnetic shielding may be required. In addition, the electrical service must be connected to a low impedance earth ground.

PACKAGE INFORMATION

RTCA DO-160G COMPLIANT PRODUCT

OUTLINE DIMENSIONS

DIM	MILLIMETERS		INCHES	
	MIN	MAX	MIN	MAX
A	96.8		3.81	
B	88.9		3.50	
C	110.92	111.68	4.37	4.40
D	14.43		0.586	
E	43.89	44.39	1.62	1.72
F	27.9		1.10	
G	58.04	58.80	2.29	2.32



Note: Recommended torque value for mounting: less than 10 inch pounds

ORDERING INFORMATION

BASE PART NUMBER (xx = Voltage)	MARKING
587BxxxLP	Part Number, Date Code, Voltage, Logo and Current Rating

COMPANY INFORMATION**RTCA DO-160G COMPLIANT PRODUCT****COMPANY PROFILE**

In business more than 30 years, ProTek Devices™ is a privately held semiconductor company. The company offers a product line of overvoltage protection that include Transient Voltage Suppressor (TVS) Arrays, Steering Diode Array Hybrids, High-power Components and Modules, as well as Steering Diodes, EMI Filter/TVS Arrays and Thyristor Surge Suppressors. These components deliver circuit protection in electronic systems from numerous overvoltage events. They include lightning; electrostatic discharge (ESD); nuclear electromagnetic pulses (NEMP); inductive switching; and electromagnetic interference (EMI) / radio frequency interference (RFI). ProTek Devices is an ISO 9001 certified company.

CONTACT US**Corporate Headquarters**

2929 South Fair Lane
Tempe, Arizona 85282
USA

By Telephone

General: 602-431-8101
Sales: & Marketing: 602-414-5109
Customer Service: 602-414-5114
Product Technical Support: 602-414-5107

By Fax

General: 602-431-2288

By E-mail:

Asia Sales: asiasales@protekdevices.com
Europe Sales: europesales@protekdevices.com
U.S. Sales: ussales@protekdevices.com
Distributor Sales: distysales@protekdevices.com
Customer Service: service@protekdevices.com
Technical Support: support@protekdevices.com

ProTek Devices (Asia Pacific) Pte. Ltd.

8 Ubi Road 2, #06-19
Zervex
Singapore - 408538
Tel: +65-67488312
Fax: +65-67488313

Web

www.protekdevices.com

COPYRIGHT © ProTek Devices 1998 - This literature is subject to all applicable copyright laws and is not for resale in any manner.

SPECIFICATIONS: ProTek reserves the right to change the electrical and or mechanical characteristics described herein without notice.

DESIGN CHANGES: ProTek reserves the right to discontinue product lines without notice and that the final judgement concerning selection and specifications is the buyer's and that in furnishing engineering and technical assistance. ProTek assumes no responsibility with respect to the selection or specifications of such products. ProTek makes no warranty, representation or guarantee regarding the suitability of its products for any particular purpose, nor does ProTek assume any liability arising out of the application or use of any product or circuit and specifically disclaims any and all liability without limitation special, consequential or incidental damages.

LIFE SUPPORT POLICY: ProTek Devices products are not authorized for use in life support systems without written consent from the factory.

PATENT INFORMATION: This device is patented under U.S. Patent No. 4,563,720