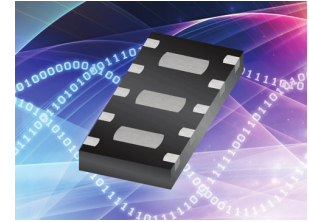




PROTEK DEVICES®

PGBT2504 Gigabit Ethernet Protector for Critical Applications

The PGBT2504 is a differential-mode port, fast transient protection array that features ultra-low capacitance by using a hybrid TVS and Thyristor structure. The device allows for additional peak current handling capability with a very low clamping voltage as well as 10 Ohm resistors per line. Ideal for Gigabit Ethernet applications in military and aerospace equipment, the PGBT2504, protects two data-line pairs and can withstand pin injection levels per DO-160G requirements. The PGBT2504 meets IEC 61000-4-2 and IEC 61000-4-5 requirements.

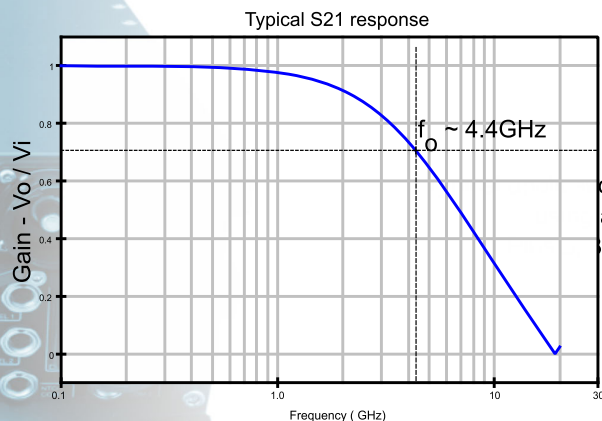
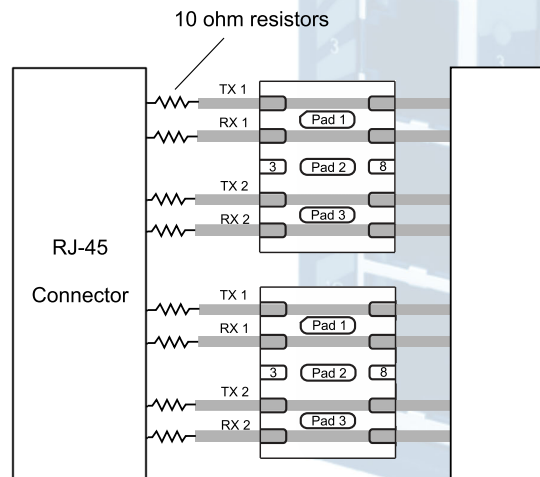
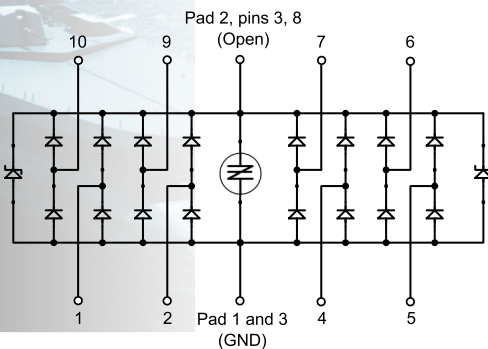


FEATURES

- Compatible with IEC 61000-4-2 (ESD): Air 15kV, Contact 8kV
- Compatible with IEC 61000-4-4 (EFT): 40A, 5/50ns
- Compatible with IEC 61000-4-5 (Surge): 30A, 8/20 μ s
- Compliant with pin injection level 4 (WF3), level 2 (WF4) and level 2 (WF5A) adding 10 ohm resistor per line.
- 500 Watts Peak Pulse Power I/O to I/O (tp = 8/20 μ s)
- ESD Protection > 25 kilovolts
- Low Clamping Voltage
- Protection for 2 differential pairs
- Ultra Low Capacitance I/O to I/O: 1.0pF Typical
- RoHS Compliant
- REACH Compliant

APPLICATIONS

- Gigabit Ethernet
- 2.5GbE
- RJ-45 Connectors
- AFDX Network



on for 4 differential signal pairs
a rail to rail PCB configuration.
and pads 1-3 open or floating.