

TVS Protection for RS-422 Using the PSOT05C

By: Sudesh Nayak

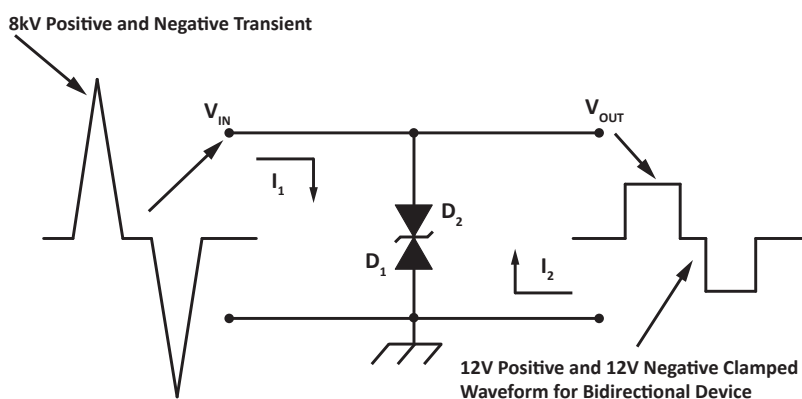
RS-422 (or EIA422) is a communication interface standard that specifies the electrical characteristics of digital signaling. RS-422 provides data transmission via balanced or differential signaling, over terminated or non-terminated transmission lines.

RS-422 can deliver data at rates up to 10Mbps over short distances on a twisted pair. The range can be extended to 1,500 meters at lower data rates. The interface operates between -6 to+6 volts (maximum differential voltage).

RS-422 interface is susceptible to power source fluctuations, inductive switching, electrostatic discharge and other threats, leaving the interface open to risk of electrical damage. ProTek Devices recommends the PSOT05C, a protection device that is compliant with IEC 61000-4-2 ESD protection ($\pm 8\text{kV}$ contact and $\pm 15\text{kV}$ air discharges).

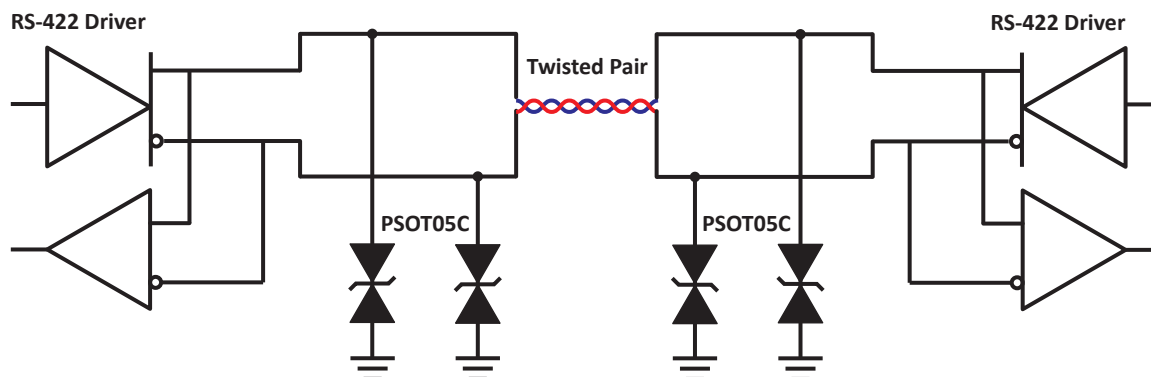
Transient voltage suppression diodes are normally used to protect the RS-422 transceivers from transient voltages. A TVS diode, when working below its breakdown voltage, acts as a huge resistor and a sizeable capacitor in parallel. The value of this capacitance is of interest when we deal with data transmission. An average use of RS-422 is sub- 1Mbps (smaller data rate, larger distance). Figure 1 shows a typical TVS clamping characteristics for bidirectional devices.

Figure 1. Bidirectional Device TVS Clamping Characteristics



The PSOT05C is a dual TVS package that can protect one bidirectional line or two unidirectional lines. The device can handle up to 500 Watts of power for an $8/20\mu\text{s}$ waveshape. The PSOT05C is a 3 pin device (SOT-23 package configuration), which when used for bidirectional surge protection, employs only pin 1 and pin 2. Pin 3 is not connected. A typical RS-422 interface is shown in Figure 2, along with the protection scheme. Each line needs a separate PSOT05C. For longer distances, it is prudent that there is protection on both ends of the channel.

Figure 2. RS-422 Interface Application Using the PSOT05C



COMPANY INFORMATION

COMPANY PROFILE

In business more than 20 years, ProTek Devices™ is a privately held semiconductor company. The company offers a product line of overvoltage protection and overcurrent protection components. These include transient voltage suppressor array (TVS arrays) avalanche breakdown diode, steering diode TVS array and electronics SMD chip fuses. These components deliver circuit protection in electronic systems from numerous overvoltage and overcurrent events. They include lightning; electrostatic discharge (ESD); nuclear electromagnetic pulses (NEMP); inductive switching; and electromagnetic interference (EMI) / radio frequency interference (RFI). ProTek Devices also offers high performance interface and linear products. They include analog switches; multiplexers; LED drivers; LED wafer die for ESD protection; audio control ICs; RF and related high frequency products.

CONTACT US

Corporate Headquarters

2929 South Fair Lane
Tempe, Arizona 85282
USA

By Telephone

General: 602-431-8101
Sales: & Marketing: 602-414-5109
Customer Service: 602-414-5114
Product Technical Support: 602-414-5107

By Fax

General: 602-431-2288

By E-mail:

Sales: sales@protekdevices.com
Customer Service: service@protekdevices.com
Technical Support: support@protekdevices.com

ProTek Devices (Asia Pacific) Pte. Ltd.

8 Ubi Road 2, #06-19
Zervex
Singapore - 408538
Tel: +65-67488312
Fax: +65-67488313

Web

www.protekdevices.com

COPYRIGHT © ProTek Devices 2013 - This literature is subject to all applicable copyright laws and is not for resale in any manner.

SPECIFICATIONS: ProTek reserves the right to change the electrical and or mechanical characteristics described herein without notice.

DESIGN CHANGES: ProTek reserves the right to discontinue product lines without notice and that the final judgement concerning selection and specifications is the buyer's and that in furnishing engineering and technical assistance. ProTek assumes no responsibility with respect to the selection or specifications of such products. ProTek makes no warranty, representation or guarantee regarding the suitability of its products for any particular purpose, nor does ProTek assume any liability arising out of the application or use of any product or circuit and specifically disclaims any and all liability without limitation special, consequential or incidental damages.

LIFE SUPPORT POLICY: ProTek Devices products are not authorized for use in life support systems without written consent from the factory.