

## HIGH POWERED MULTI-LINE LOW CAPACITANCE TVS ARRAY



### DESCRIPTION

The PLC01-6 is a high powered multi-line low capacitance transient voltage suppressor array that provides board level protection for Bellcore 1089, standard TTL and CMOS bus line applications against the damaging effects of ESD, tertiary lightning and switching transients.

This device has a peak pulse power rating of 1500 Watts for an 10/1000 $\mu$ s waveshape. The PLC01-6 meets the IEC 61000-4-2, IEC 61000-4-4 and IEC 61000-4-5 requirements.

### FEATURES

- Compatible with IEC 61000-4-2 (ESD): Air - 15kV, Contact - 8kV
- Compatible with IEC 61000-4-4 (EFT): 40A - 5/50ns
- Compatible with IEC 61000-4-5 (Surge): 48A, 8/20 $\mu$ s -L3(Line-Gnd), L4(Line-Line) & L1(Power)
- 1,500 Watts Peak Pulse Power per Line (tp = 10/1000 $\mu$ s)
- Low Clamping Voltage
- 100A (10/1000 $\mu$ s) per Bellcore 1089 (Intra-Building)
- 200A (10/160 $\mu$ s) per FCC Part 68
- ESD Protection > 25 kilovolts
- Bidirectional Configuration
- Protects 1 Line
- RoHS Compliant
- REACH Compliant

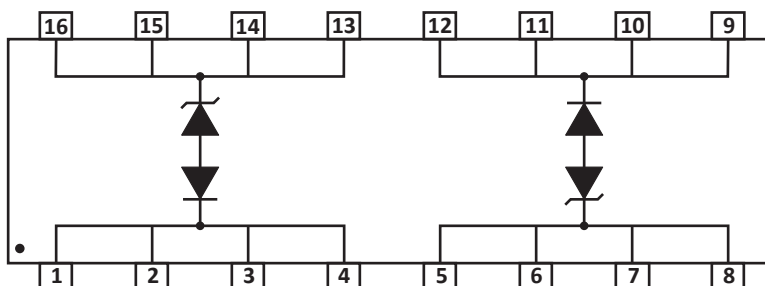
### APPLICATIONS

- T1/E1 Line Cards
- Telecommunications Equipment
- xDSL, USB, SCSI & Ethernet Interfaces
- Cellular Base Stations
- Data & Bus Lines for FCC Part 68 Applications

### MECHANICAL CHARACTERISTICS

- Molded JEDEC SO-16 (Wide Body) Package
- Approximate Weight: 0.5 grams
- Lead-Free Pure-Tin Plating (Annealed)
- Solder Reflow Temperature:  
Pure-Tin - Sn, 100: 260-270°C
- 16mm Tape and Reel Per EIA Standard 481
- Flammability Rating UL 94V-0

### PIN CONFIGURATION



**TYPICAL DEVICE CHARACTERISTICS**
**MAXIMUM RATINGS @ 25°C Unless Otherwise Specified**

PARAMETER	SYMBOL	VALUE	UNITS
Operating Temperature	$T_L$	-55 to 150	°C
Storage Temperature	$T_{STG}$	-55 to 150	°C
Peak Pulse Power ( $t_p = 10/1000\mu s$ ) - See Figure 1	$P_{PP}$	1,500	Watts

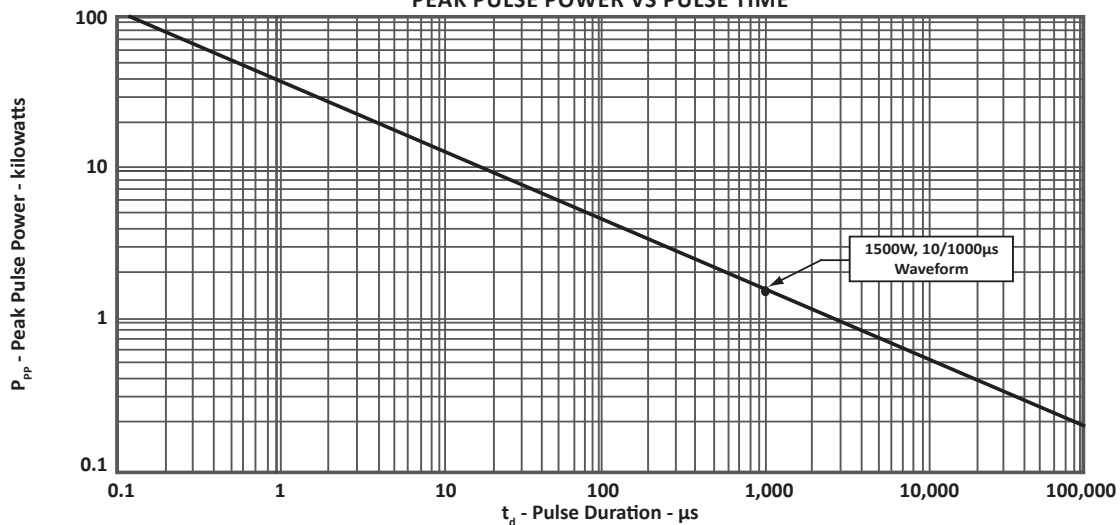
**ELECTRICAL CHARACTERISTICS PER LINE @ 25°C Unless Otherwise Specified**

PART NUMBER (Note 1)	RATED STAND-OFF VOLTAGE $V_{WM}$ VOLTS	MINIMUM BREAKDOWN VOLTAGE @1mA $V_{(BR)}$ VOLTS	MAXIMUM CLAMPING VOLTAGE (Note 2) @ $I_p = 100A$ $V_C$ VOLTS	MAXIMUM CLAMPING VOLTAGE (Note 3) @ $I_p = 200A$ $V_C$ VOLTS	MAXIMUM LEAKAGE CURRENT @ $V_{WM}$ $I_D$ $\mu A$	TYPICAL CAPACITANCE @0V, 1MHz C pF
PLC01-6	6.0	8.0	15.0	16.0	25	50

**NOTES**

- Electrical characteristics apply from pins 13-16 to 1-4 and 5-8 to 9-12 - see pin configuration.
- $V_C$  tested at 10/1000 $\mu s$  impulse waveform.
- 10/160 $\mu s$  impulse waveform per FCC Part 68.

**FIGURE 1**  
**PEAK PULSE POWER VS PULSE TIME**



TYPICAL DEVICE CHARACTERISTICS

FIGURE 2  
PULSE WAVEFORM

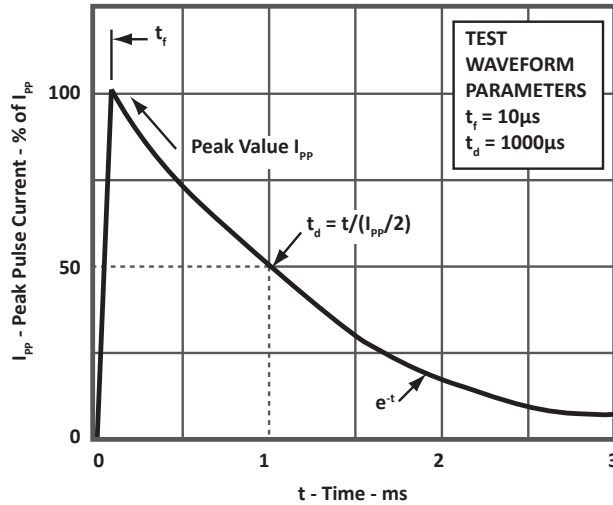


FIGURE 3  
PULSE WAVEFORM

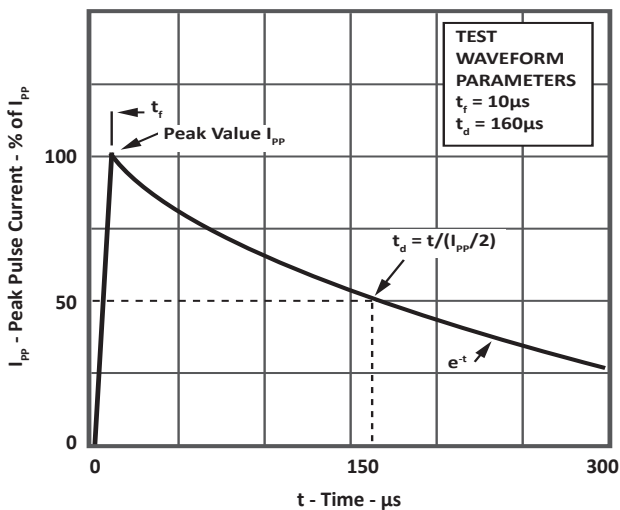
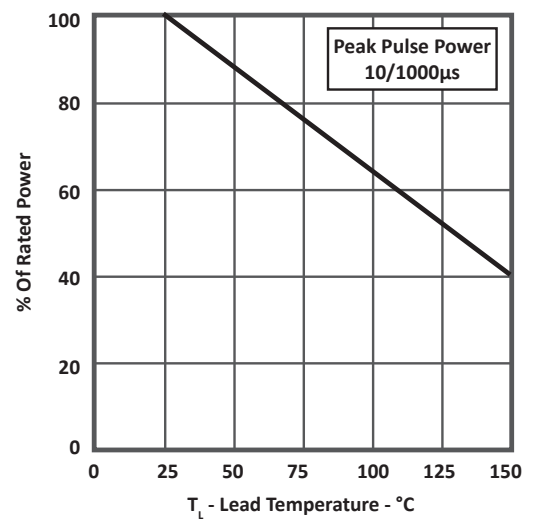
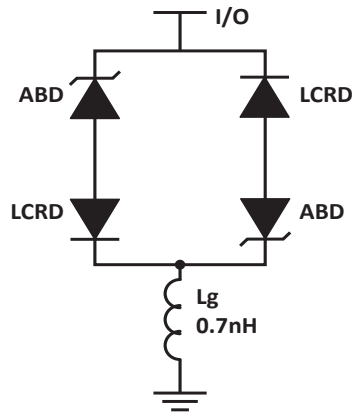


FIGURE 4  
POWER DERATING CURVE



## SPICE MODEL

FIGURE 1  
SPICE MODEL



LCABD - Low Capacitance Avalanche Breakdown Diode (TVS)

LCRD: Low Capacitance Rectifier Diode

Lg - Lead Inductance

TABLE 1 - SPICE PARAMETERS

PARAMETER	UNIT	ABD(TVS)	LCRD
BV	V	8.0	200
IBV	$\mu$ A	1	0.01
$C_{jo}$	pF	9000	50
$I_s$	A	1E-13	1E-15
Vj	V	0.6	0.6
M	-	0.33	0.33
N	-	1	1
$R_s$	Ohms	0.005	0.31
TT	s	1E-8	5E-9
EG	eV	1.11	1.11

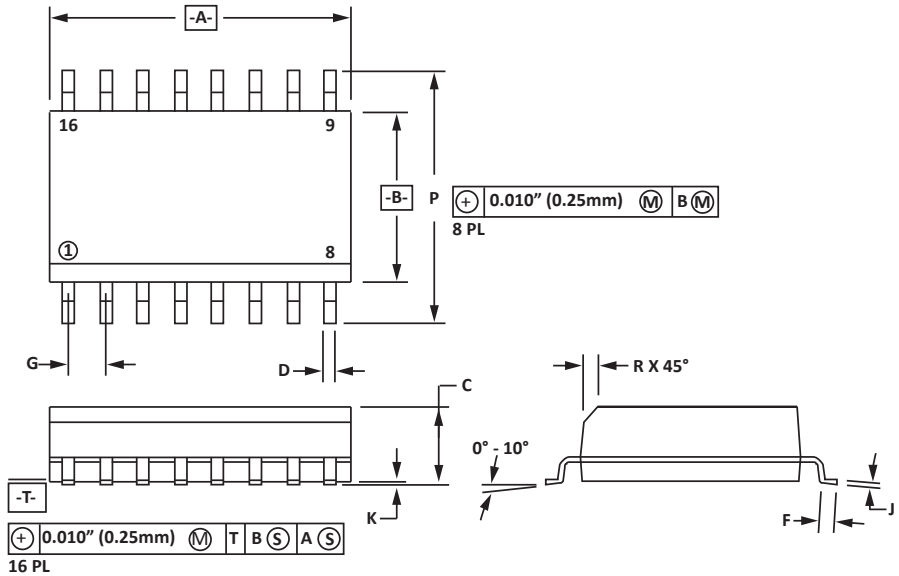
## SO-16WB PACKAGE INFORMATION

## OUTLINE DIMENSIONS

DIM	MILLIMETERS		INCHES	
	MIN	MAX	MIN	MAX
A	10.15	10.45	0.400	0.411
B	7.40	7.60	0.292	0.299
C	2.23	2.65	0.093	0.104
D	0.35	0.49	0.014	0.019
F	0.50	0.90	0.020	0.035
G	1.27 BSC		0.05 BSC	
J	0.25	0.32	0.010	0.012
K	0.10	0.25	0.004	0.008
P	10.05	10.55	0.395	0.415
R	0.25	0.50	0.010	0.019

## NOTES

- T = Seating plane and datum surface.
- Dimensions "A" and "B" are datum.
- Dimensions "A" and "B" do not include mold protrusion.
- Maximum mold protrusion is 0.015" (0.380mm) per side.
- Dimensioning and tolerances per ANSI Y14.5M, 1982.
- Dimensions are exclusive of mold flash and metal burrs.

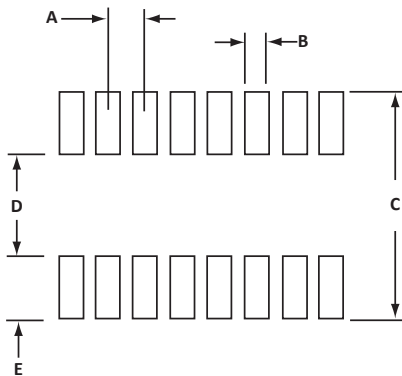


## PAD LAYOUT DIMENSIONS

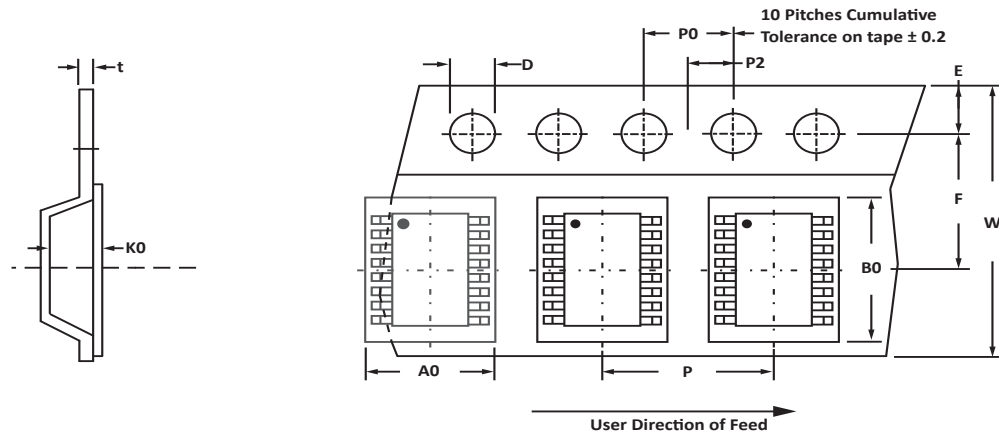
DIM	MILLIMETERS		INCHES	
	MIN	MAX	MIN	MAX
A	1.14	1.40	0.045	0.055
B	0.64	0.89	0.025	0.035
C	10.67	-	0.420	-
D	8.13	8.38	0.320	0.330
E	1.02	1.27	0.040	0.050

## NOTES

- Controlling dimension: inches.



## TAPE AND REEL



### SPECIFICATIONS

REEL DIA.	TAPE WIDTH	A0	B0	K0	D	E	F	W	P0	P2	P	tmax
330mm (13")	16mm	10.80 ± 0.10	10.70 ± 0.10	3.30 ± 0.10	1.50 ± 0.10	1.75 ± 0.10	3.50 ± 0.05	16.00 ± 0.30	4.00 ± 0.12	2.00 ± 0.10	8.00 ± 0.10	0.25

#### NOTES

- Dimensions are in millimeters.
- Surface mount product is taped and reeled in accordance with EIA-481.
- Suffix - T13 = 13" Reel - 1,000 pieces per 16mm tape.
- Bulk product shipped in tubes of 37 pieces per tube.
- Marking on Part - part number, date code, logo and pin one defined by dot on top of package.

### ORDERING INFORMATION

BASE PART NUMBER	LEADFREE SUFFIX	TAPE SUFFIX	QTY/REEL	REEL SIZE	TUBE QTY
PLC01-6	-LF	-T13	1,000	13"	37

This device is only available in a Lead-Free configuration.

## COMPANY INFORMATION

---

### COMPANY PROFILE

In business more than 25 years, ProTek Devices™ is a privately held semiconductor company. The company offers a product line of overvoltage protection and overcurrent protection components. These include transient voltage suppressor array (TVS arrays) avalanche breakdown diode, steering diode TVS array and electronics SMD chip fuses. These components deliver circuit protection in electronic systems from numerous overvoltage and overcurrent events. They include lightning; electrostatic discharge (ESD); nuclear electromagnetic pulses (NEMP); inductive switching; and electromagnetic interference (EMI) / radio frequency interference (RFI). ProTek Devices also offers LED wafer die for ESD protection and related high frequency products. ProTek Devices is ISO 9001:2015 certified.

### CONTACT US

#### Corporate Headquarters

2929 South Fair Lane  
Tempe, Arizona 85282  
USA

#### By Telephone

General: 602-431-8101  
Sales: & Marketing: 602-414-5109  
Customer Service: 602-414-5114  
Product Technical Support: 602-414-5107

#### By Fax

General: 602-431-2288

#### By E-mail:

Asia Sales: [asiasales@protekdevices.com](mailto:asiasales@protekdevices.com)  
Europe Sales: [europesales@protekdevices.com](mailto:europesales@protekdevices.com)  
U.S. Sales: [ussales@protekdevices.com](mailto:ussales@protekdevices.com)  
Distributor Sales: [distysales@protekdevices.com](mailto:distysales@protekdevices.com)  
Customer Service: [service@protekdevices.com](mailto:service@protekdevices.com)  
Technical Support: [support@protekdevices.com](mailto:support@protekdevices.com)

#### ProTek Devices (Asia Pacific) Pte. Ltd.

8 Ubi Road 2, #06-19  
Zervex  
Singapore - 408538  
Tel: +65-67488312  
Fax: +65-67488313

#### Web

[www.protekdevices.com](http://www.protekdevices.com)

COPYRIGHT © ProTek Devices 2000 - This literature is subject to all applicable copyright laws and is not for resale in any manner.

SPECIFICATIONS: ProTek reserves the right to change the electrical and or mechanical characteristics described herein without notice.

DESIGN CHANGES: ProTek reserves the right to discontinue product lines without notice and that the final judgement concerning selection and specifications is the buyer's and that in furnishing engineering and technical assistance. ProTek assumes no responsibility with respect to the selection or specifications of such products. ProTek makes no warranty, representation or guarantee regarding the suitability of its products for any particular purpose, nor does ProTek assume any liability arising out of the application or use of any product or circuit and specifically disclaims any and all liability without limitation special, consequential or incidental damages.

LIFE SUPPORT POLICY: ProTek Devices products are not authorized for use in life support systems without written consent from the factory.