

HIGH POWER TVS ARRAY



APPLICATIONS

- Digital Audio Tuner for Automotive
- Automotive Entertainment Systems
- Automotive Navigation Systems



FEATURES

- **AEC-Q101 Qualified**
- UL Registered
- Junction Passivation Optimized Design Passivated Anisotropic Rectifier Technology
- $T_j = 175^\circ\text{C}$ Capability Suitable for High Reliability and Automotive Requirements
- Unidirectional Configuration
- Low Forward Voltage Drop
- High Surge Capability
- 4600 Watts Peak Pulse Power per Line ($t_p = 10/1000\mu\text{s}$)
- Meets ISO7637-2 Surge Specification (Varied by Test Condition)
- Meets MSL Level 1, Per J-STD-020, LF Maximum Peak of 245°C
- Available in Multiple Voltages
- RoHS Compliant
- REACH Compliant

MECHANICAL CHARACTERISTICS

- Case: DO-218AB Package
- Terminals: Matte Tin Plated Leads, Solderable Per J-STD-002 and JESD 22-B102
- Approximate Weight: 2.7 grams
- Solder Reflow Temperature - 260°C for 10 seconds at terminals
- 24mm Tape and Reel Per EIA Standard 481
- Flammability Rating UL 94V-0
- Polarity: Heatsink is Anode

MAXIMUM RATINGS @ 25°C Unless Otherwise Specified

PARAMETER	SYMBOL	VALUE	UNITS
Operating Junction Temperature	T_j	-55 to 175	$^\circ\text{C}$
Storage Temperature	T_{STG}	-55 to 175	$^\circ\text{C}$
Peak Pulse Power Dissipation ($t_p = 10/1000\mu\text{s}$)	P_{PPM}	4600	Watts
Peak Pulse Power Dissipation ($t_p = 10/10000\mu\text{s}$)	P_{PPM}	3600	Watts
Peak Forward Surge Current, 8.3ms single half sinewave	I_{FSM}	600	Amps
Power Dissipation on Infinite Heatsink, $T_c = 25^\circ\text{C}$ (Figure 2)	P_D	6.0	Watts
Typical Thermal Resistance, Junction to Case	$R_{\theta\text{JC}}$	0.95	$^\circ\text{C}/\text{W}$

TYPICAL DEVICE CHARACTERISTICS

ELECTRICAL CHARACTERISTICS PER LINE @ 25°C Unless Otherwise Specified

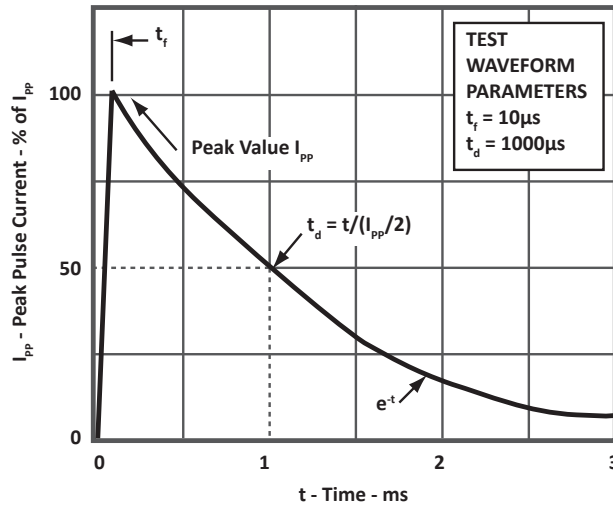
PART NUMBER (Note 1)	MARKING CODE	REVERSE STAND-OFF VOLTAGE V_{RWM} VOLTS	BREAKDOWN VOLTAGE $V_{(BR)}$ @ I_T VOLTS		TEST CURRENT @ I_T mA	MAXIMUM CLAMPING VOLTAGE (Fig. 1) @ I_P V_C VOLTS	MAXIMUM REVERSE SURGE CURRENT @ I_{PP} AMPS	MAXIMUM REVERSE LEAKAGE CURRENT @ V_{RWM} I_R μA	MAXIMUM REVERSE LEAKAGE CURRENT @ V_{RWM} 175°C I_R μA
			MIN	MAX					
PAM6S14A	SM6S14A	14.0	15.6	17.2	5.0	23.2	198	10	150
PAM6S15A	SM6S15A	15.0	16.7	18.5	5.0	24.4	189	10	150
PAM6S16A	SM6S16A	16.0	17.8	19.7	5.0	26.0	177	10	150
PAM6S17A	SM6S17A	17.0	18.9	20.9	5.0	27.6	167	10	150
PAM6S18A	SM6S18A	18.0	20.0	22.1	5.0	29.2	158	10	150
PAM6S20A	SM6S20A	20.0	22.2	24.5	5.0	32.4	142	10	150
PAM6S22A	SM6S22A	22.0	24.4	26.9	5.0	35.5	130	10	150
PAM6S24A	SM6S24A	24.0	26.7	29.5	5.0	38.9	118	10	150
PAM6S26A	SM6S26A	26.0	28.9	31.9	5.0	42.1	109	10	150
PAM6S28A	SM6S28A	28.0	31.1	34.4	5.0	45.4	101	10	150
PAM6S30A	SM6S30A	30.0	33.3	36.8	5.0	48.4	95	10	150
PAM6S33A	SM6S33A	33.0	36.7	40.6	5.0	53.3	86	10	150
PAM6S36A	SM6S36A	36.0	40.0	44.2	5.0	58.1	79	10	150

NOTES

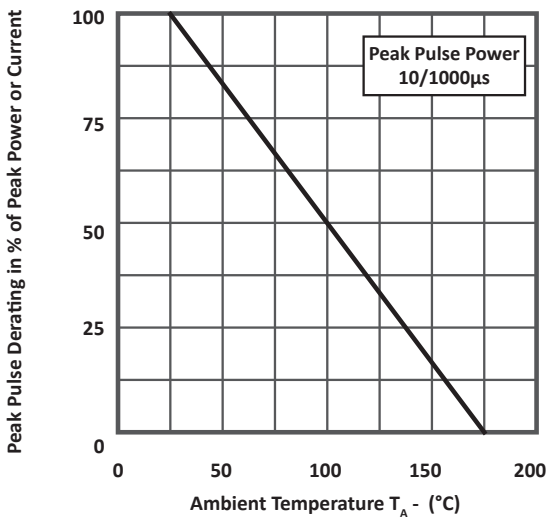
1. For all types, maximum VF = 1.9V at IF 100A, measured on 8.3ms single half-sine wave or equivalent square wave. Maximum duty cycle = 4 pulses per minute.

TYPICAL DEVICE CHARACTERISTICS

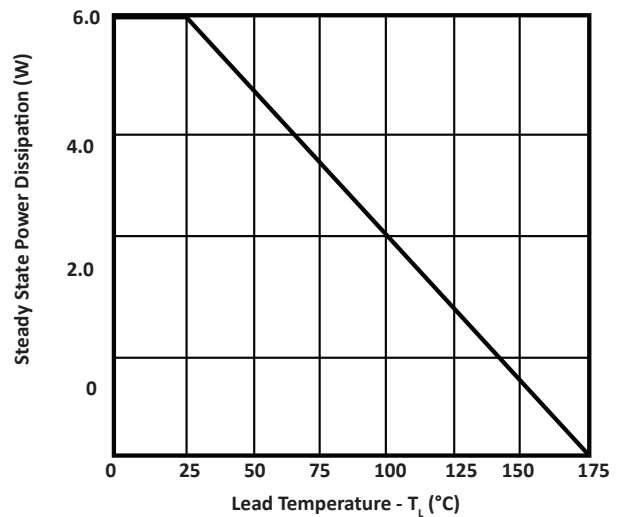
**FIGURE 1
PULSE WAVEFORM**



**FIGURE 2
PULSE DERATING CURVE**



**FIGURE 3
STEADY STATE POWER DERATING CURVE**



TYPICAL DEVICE CHARACTERISTICS

FIGURE 4
PEAK PULSE POWER RATING CURVE

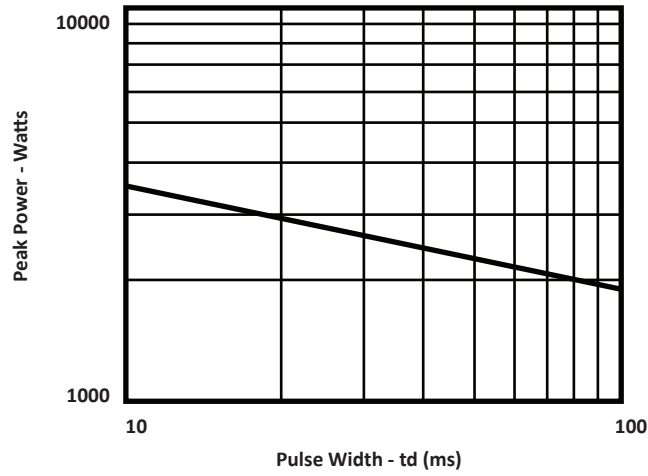
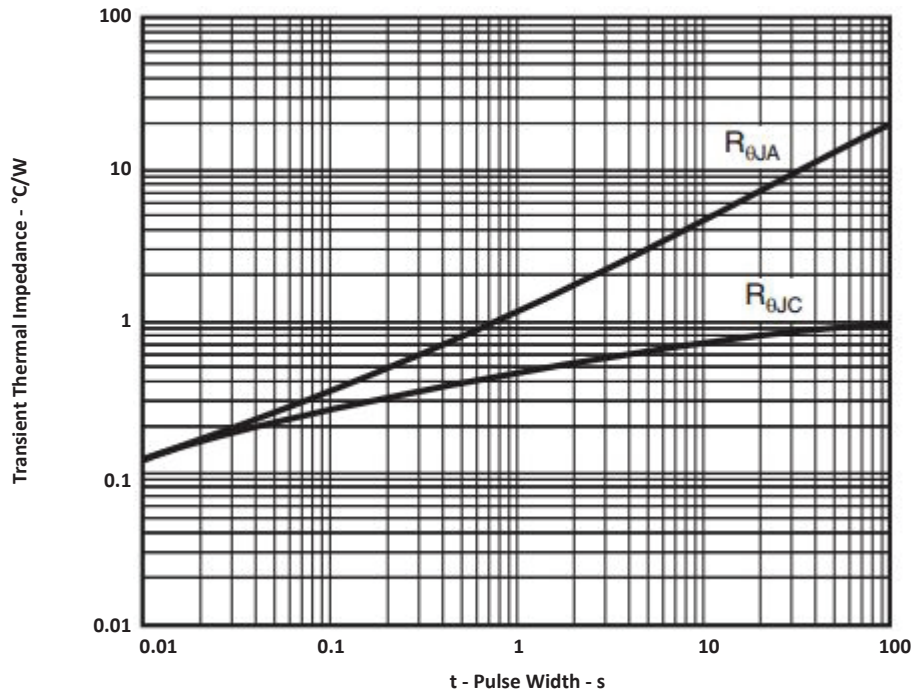


FIGURE 5
TYPICAL TRANSIENT THERMAL IMPEDANCE



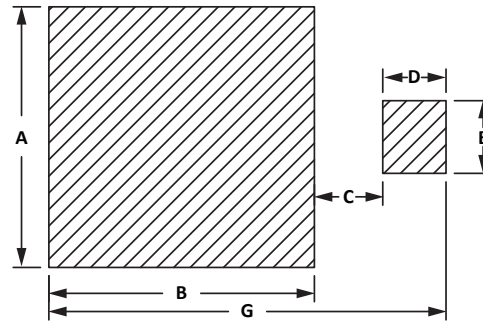
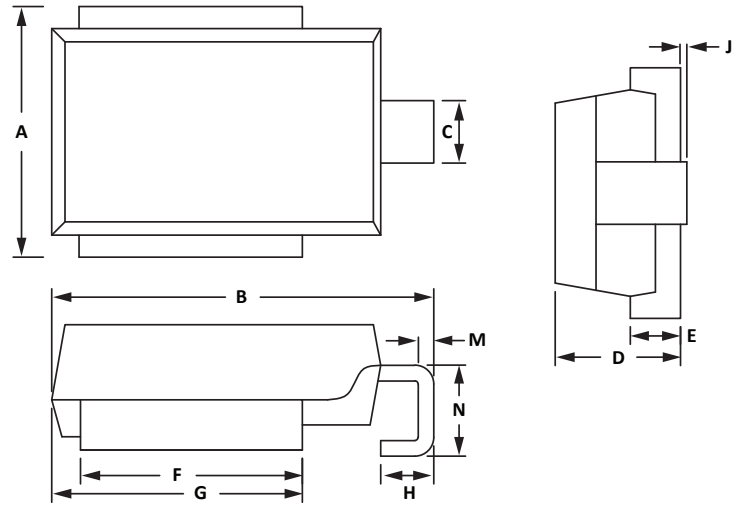
PACKAGE INFORMATION

OUTLINE DIMENSIONS

DIM	MILLIMETERS		INCHES	
	MIN	MAX	MIN	MAX
A	9.50	10.50	0.374	0.413
B	15.00	16.00	0.591	0.630
C	2.30	2.90	0.090	0.114
D	4.80	5.20	0.189	0.205
E	1.95	2.11	0.077	0.083
F	8.70	9.30	0.342	0.366
G	9.70	10.30	0.382	0.405
H	1.70	2.70	0.067	0.106
J	0.00	0.06	0.00	0.010
M	0.50	0.70	0.019	0.027
N	2.50	3.50	0.098	0.138

NOTES

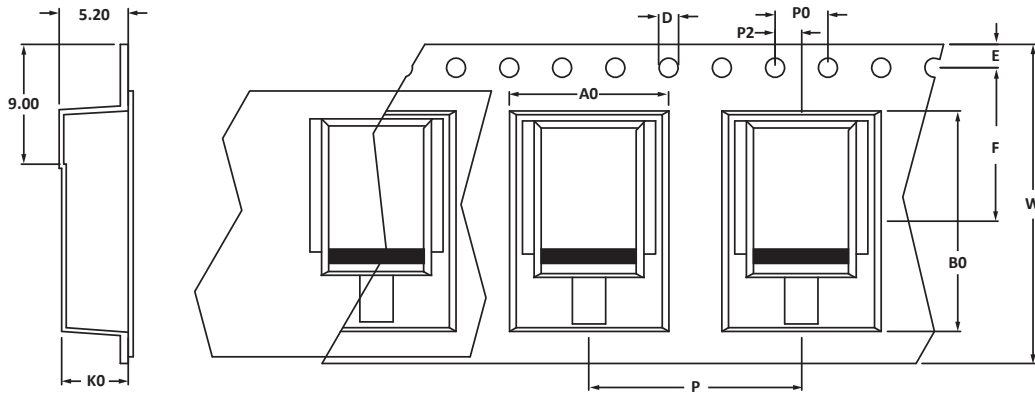
- Dimensions are exclusive of mold flash and metal burrs.



PAD LAYOUT DIMENSIONS

DIM	MILLIMETERS	INCHES
	NOM	NOM
A	11.0	0.433
B	9.5	0.374
C	3.3	0.130
D	3.0	0.118
E	3.5	0.137
G	15.8	0.662

TAPE AND REEL



SPECIFICATIONS

REEL DIA.	TAPE WIDTH	A0	B0	K0	D	E	F	W	P0	P2	P
330mm (13")	24mm	12.00 ± 0.10	16.60 ± 0.10	5.00 ± 0.10	1.50 ± 0.10	1.75 ± 0.10	11.55 ± 0.05	24.00 ± 0.30	4.00 ± 0.12	2.00 ± 0.10	16.00 ± 0.10

NOTES

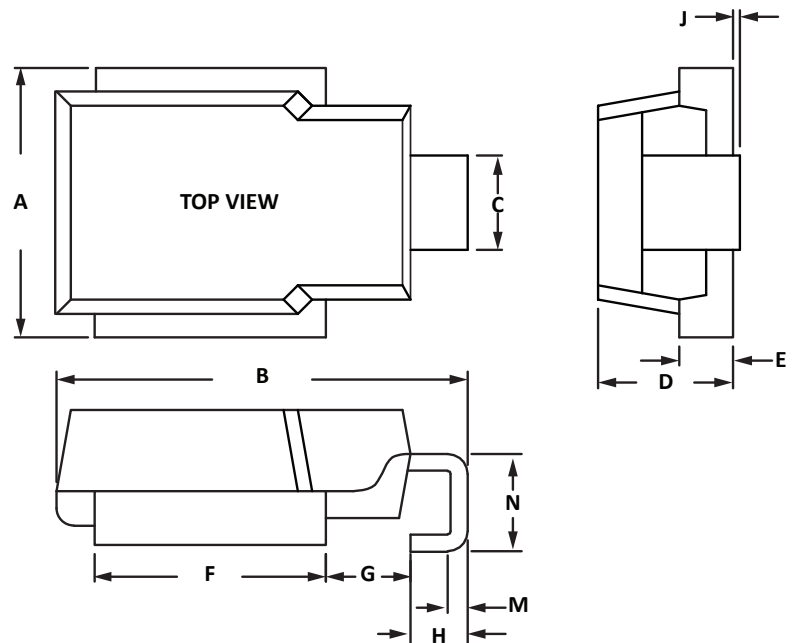
- Dimensions are in millimeters.
- Surface mount product is taped and reeled in accordance with EIA-481.
- Marking on Part - marking code, date code, logo and polarity band.

PACKAGE INFORMATION

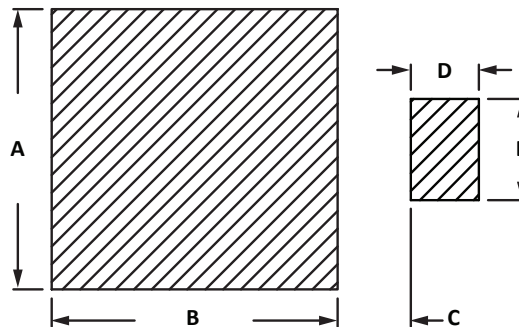
ALTERNATE PACKAGE

OUTLINE DIMENSIONS				
DIM	MILLIMETERS		INCHES	
	MIN	MAX	MIN	MAX
A	9.50	10.50	0.374	0.413
B	15.00	16.00	0.592	0.628
C	2.40	3.00	0.094	0.118
D	4.70	5.10	0.185	0.201
E	1.90	2.10	0.075	0.083
F	8.50	9.10	0.335	0.358
G	3.55	3.75	0.139	0.147
H	1.95	2.20	0.076	0.086
J	0.00	0.06	0.00	0.010
M	0.50	0.70	0.020	0.028
N	2.50	3.50	0.098	0.138

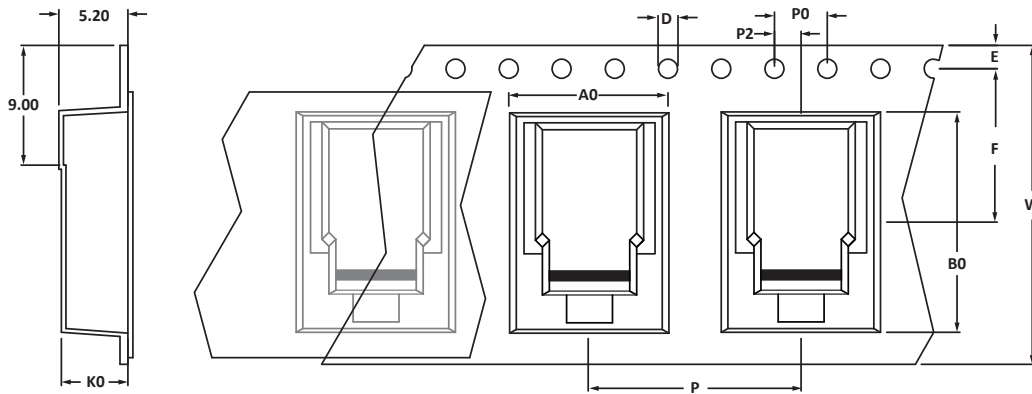
NOTES
1. Dimensions are exclusive of mold flash and metal burrs.



PAD LAYOUT				
DIM	MILLIMETERS		INCHES	
	MIN	MAX	MIN	MAX
A	10.49	10.65	0.413	0.419
B	10.69	10.85	0.421	0.427
C	2.69	2.85	0.106	0.112
D	2.49	2.65	0.098	0.104
E	3.73	3.88	0.147	0.153



TAPE AND REEL



SPECIFICATIONS

REEL DIA.	TAPE WIDTH	A0	B0	K0	D	E	F	W	P0	P2	P
330mm (13")	24mm	12.00 ± 0.10	16.60 ± 0.10	5.00 ± 0.10	1.50 ± 0.10	1.75 ± 0.10	11.55 ± 0.05	24.00 ± 0.30	4.00 ± 0.12	2.00 ± 0.10	16.00 ± 0.10

NOTES

- Dimensions are in millimeters.
- Surface mount product is taped and reeled in accordance with EIA-481.
- Marking on Part - part number, date code, logo and polarity band.

ORDERING INFORMATION

BASE PART NUMBER	LEADFREE SUFFIX	TAPE SUFFIX	QTY/REEL	REEL SIZE	TUBE QTY
PAM6Sxx	N/A	-T500	500	13"	N/A
PAM6Sxx	N/A	-T750	750	13"	N/A

This device is only available in a Lead-Free configuration.

COMPANY INFORMATION

COMPANY PROFILE

In business more than 25 years, ProTek Devices™ is a privately held semiconductor company. The company offers a product line of overvoltage protection and overcurrent protection components. These include transient voltage suppressor array (TVS arrays) avalanche breakdown diode, steering diode TVS array and electronics SMD chip fuses. These components deliver circuit protection in electronic systems from numerous overvoltage and overcurrent events. They include lightning; electrostatic discharge (ESD); nuclear electromagnetic pulses (NEMP); inductive switching; and electromagnetic interference (EMI) / radio frequency interference (RFI). ProTek Devices also offers LED wafer die for ESD protection and related high frequency products. ProTek Devices is ISO 9001:2015 certified.

CONTACT US

Corporate Headquarters

2929 South Fair Lane
Tempe, Arizona 85282
USA

By Telephone

General: 602-431-8101
Sales: & Marketing: 602-414-5109
Customer Service: 602-414-5114
Product Technical Support: 602-414-5107

By Fax

General: 602-431-2288

By E-mail:

Asia Sales: asiasales@protekdevices.com
Europe Sales: europesales@protekdevices.com
U.S. Sales: ussales@protekdevices.com
Distributor Sales: distysales@protekdevices.com
Customer Service: service@protekdevices.com
Technical Support: support@protekdevices.com

ProTek Devices (Asia Pacific) Pte. Ltd.

8 Ubi Road 2, #06-19
Zervex
Singapore - 408538
Tel: +65-67488312
Fax: +65-67488313

Web

www.protekdevices.com

COPYRIGHT © ProTek Devices 2017 - This literature is subject to all applicable copyright laws and is not for resale in any manner.

SPECIFICATIONS: ProTek reserves the right to change the electrical and or mechanical characteristics described herein without notice.

DESIGN CHANGES: ProTek reserves the right to discontinue product lines without notice and that the final judgement concerning selection and specifications is the buyer's and that in furnishing engineering and technical assistance. ProTek assumes no responsibility with respect to the selection or specifications of such products. ProTek makes no warranty, representation or guarantee regarding the suitability of its products for any particular purpose, nor does ProTek assume any liability arising out of the application or use of any product or circuit and specifically disclaims any and all liability without limitation special, consequential or incidental damages.

LIFE SUPPORT POLICY: ProTek Devices products are not authorized for use in life support systems without written consent from the factory.